

# TCS OVERVIEW

May 1, 2026



# CORPORATE ORG CHART | 1 ORGANIZATION - 2 DIVISIONS - 6 COMPANIES



Rugged Data Systems  
& Encryption

Video Compression  
Video Distribution  
& Scan Conversion

Ground Telemetry  
Data Processing,  
Analysis & Display

Ground Telemetry  
Data Acquisition &  
Data Transport

Tracking Antenna  
Systems

Ground Telemetry  
Recorders

# DELTA INFORMATION SYSTEMS' LOCATIONS



# NETWORK CENTRIC E2E SOLUTIONS

ACQUIRE

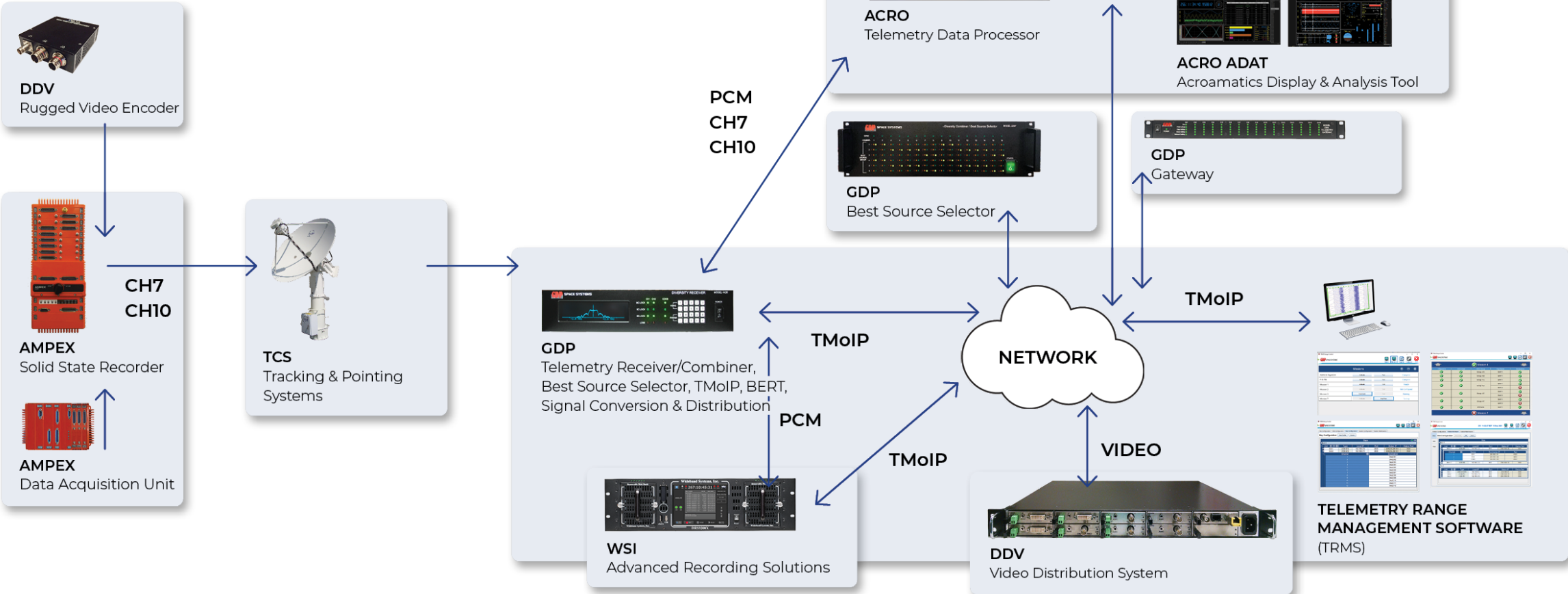
TRANSPORT.

RECORD.

PROCESS.

DISPLAY. ANALYZE.

## FLIGHT TEST SOLUTIONS



# TOPICS

Company Overview

What We Do

Services

Product Line

Current Customers



# TELEMETRY & COMMUNICATIONS SYSTEMS, INC.



Established December 1999: deep roots in the industry.



Multidisciplinary Engineering: Mechanical, Electrical, RF and Software



Purpose Built Systems: Autotracking, Program Tracking, Transmit and Receive



Solutions Tailored to Your Application: We engineer around your mission, not ours.



# WHAT WE DO

## Range Tracking



## Rocket Launches



## Satellite Tracking



Elevation-over-Azimuth



Elevation-over-Azimuth



Elevation-over-Azimuth



XY Antenna System



3-Axis System

Standard day-to-day product offering

Heritage design ready for revival

In development, proposed 2026 release

# ANTENNA SIZES

Sizes range from 4 feet to 13.2 Meters

Optional solid reflector available  
4-Ft to 8-Ft



Model 1800  
4-Ft to 6-Ft  
1.2M to 1.8M



Model 2400  
6-Ft to 8-Ft  
1.8M to 2.4M



Model 3000  
8-Ft to 12-Ft  
2.4M to 3.7M



Model 5000  
14-Ft to 20-Ft  
4.3M to 6M



Model 6000  
20-Ft to 24-Ft  
6M to 7.3 M

*For sizes larger than 7.3 Meters, we partner w/ an outside vendor for the pedestal and reflector while integrating our feed and control system.*

# FLIGHT TERMINATION SYSTEMS

## Mobile Platforms

Tripod, shipboard and trailer-mounted

## Fixed Platforms

Tower, rooftop, concrete pads

## Feeds

Single or Quad Helix

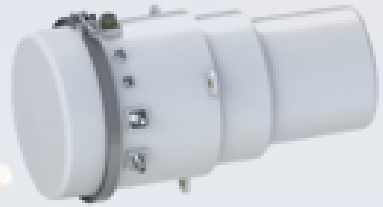
## Models

Models 1800 or 2400

Optional low-profile pedestal



# FEEDS



S/X-Band Feed



C-Band Feed



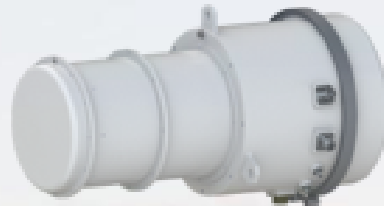
L/S and UHF Feed



L/S-Band Feed



S-Band Linear Feed



eLSX-Band Feed



C/Ku-Band Feed



Ku-Band Feed

## Autotracking Feeds

## Conscan and Coaxial Cavity Feeds

- L-Band
- S-Band
- C-Band

## Program Tracking

- UHF
- L, S, X
- S/X-Band Rx and Tx
- C/Ku-Band
- GPS Detection

## Receive & Transmit

## Swappable

## Custom Filtering

All feed designs are done in-house, reducing markups and enabling expedited lead times.

## Roadmap: Monopulse Feeds

# OPTIONS

## Acquisition Aids

Assists in aligning the antenna to signal lock

## Boresight Camera

HD 30x optical zoom, SC 12x digital zoom

## Multicouplers

Various configurations available

## Remote Stow

Remotely secure antenna in stow position.

## Risers

Assists in aligning the antenna to signal lock

## Transit Cases

ACU, Feed and Cables

Pedestal, Reflector and Spars (Models 1800 and 2400)

## Tilt Mounts

Model 1800

## Tripod w/ Transit Case

Models 1800 and 2400





# ANTENNA CONTROL UNIT

# ACU FORM FACTORS



## Rackmount units

Centralized control, optional integrated touchscreen display or KVM

## Embedded units

Compact, integrated into the pedestal

## Touch displays

Single or multi-ACU control from one screen

## Remote Units

Full ACU functionality hosted on a remote system

## Remote Control Software

Deployed on customer PC for access

## Controllers

Integrated or external handwheels, joysticks, X-Box Controllers

## OS Flexibility

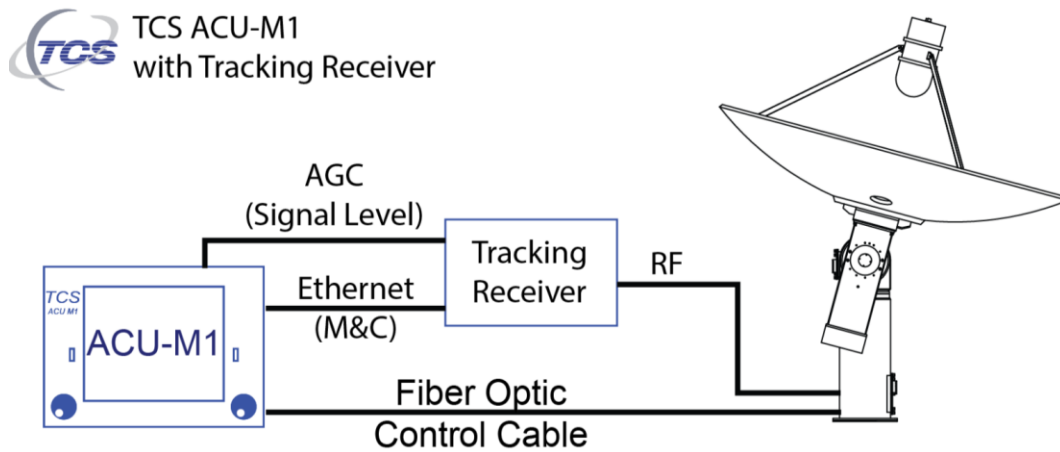
Local ACU's run on Linux RH v9

Remote systems support Windows 11 or Linux

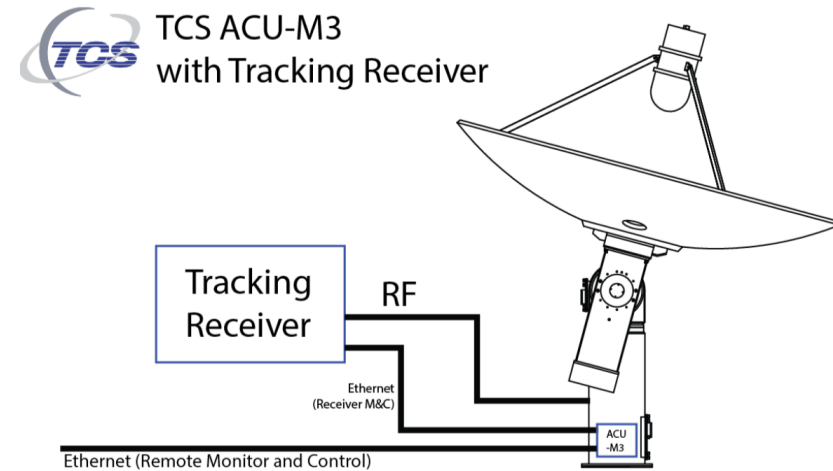


# LOCAL VS EMBEDDED ACU

ACU-M1: Auto-tracking  
(AGC feedback closed-loop)



ACU-M3: Program tracking only  
(no AGC feedback loop)



# ACU



---

This is just a fraction of our ACU's capabilities. For a deeper look, we are happy to arrange a live demonstration with David Bendrihem, one of TCS's original founders and the developer of the ACU.

---

# MOBILE SYSTEMS

## Sea Container

Internal w/ lift

Stored w/ in container

Mounted on top

4-Ft (1.2 Meter) to 12-Ft (3.7 Meter)

(Customer provides the container)

## Shipboard

Standard and anti-jamming IMU's

Optional alignment pins for easier calibration

4-Ft (1.2 Meter) to 24-Ft (7.3 Meter)

## Trailer

Single or double axle

Lowboy

Fifth Wheel

Customer Provided

4-Ft (1.2 Meter) to 24-Ft (7.3 Meter)

## Tripod

Models 1800 and 2400

4-Ft (1.2 Meter) to 8-Ft (2.4 Meter)

## Vehicle

Van / Truck

4-Ft (1.2 Meter) to 6-Ft (1.8 Meter)



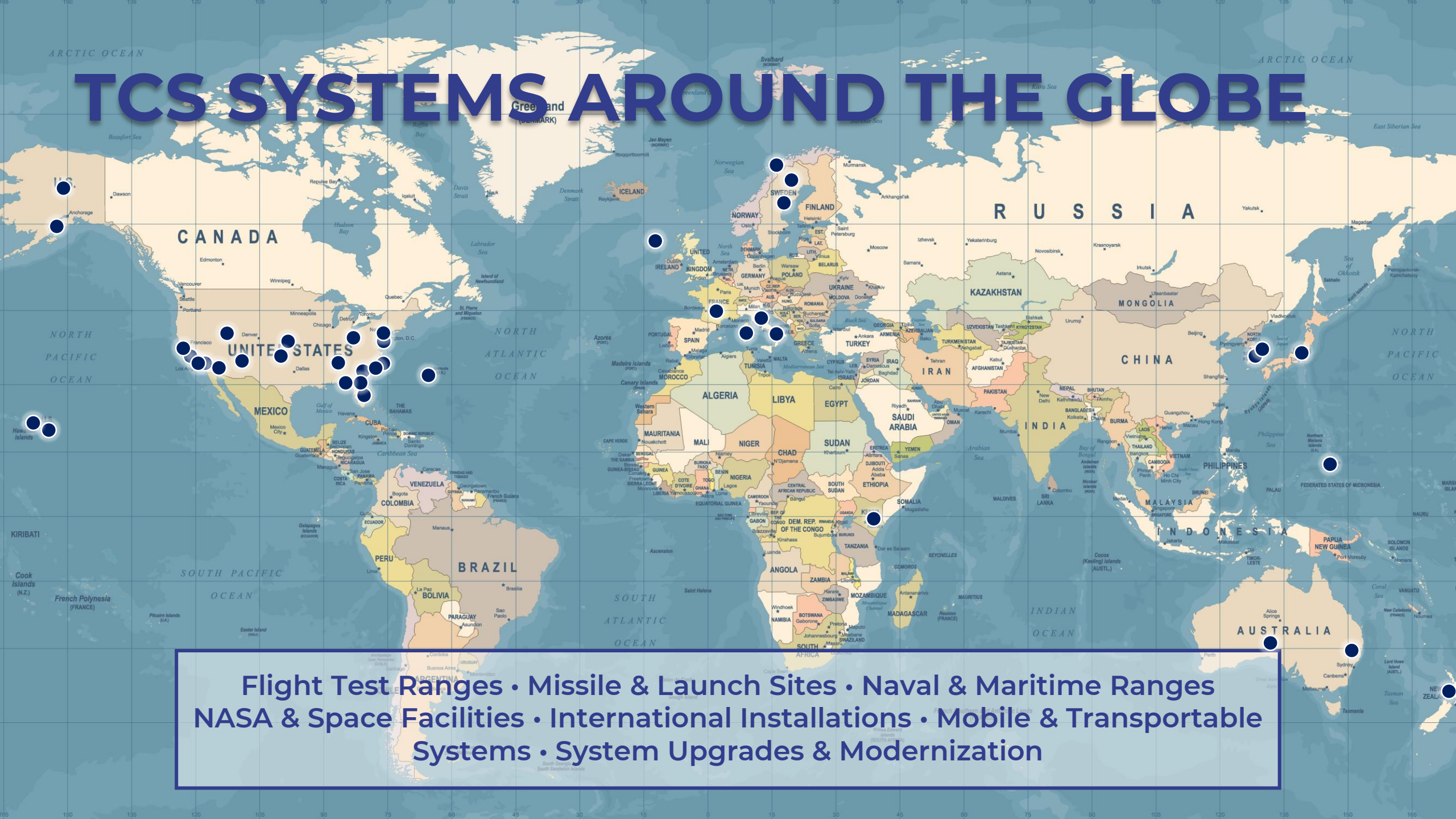


# UPGRADES

# STATE OF THE ART TELEMETRY SYSTEM UPGRADES



# TCS SYSTEMS AROUND THE GLOBE



Flight Test Ranges • Missile & Launch Sites • Naval & Maritime Ranges  
NASA & Space Facilities • International Installations • Mobile & Transportable  
Systems • System Upgrades & Modernization

# DIS TEAM



Not only do we still have three of the original founders of TCS actively involved, but we are now part of a larger, unified organization; one company, two divisions and 6 businesses. Delta Information Systems brings over 50 years of industry experience, strengthened by both new talent and the long-standing team the helped build our foundation. Together we support our customers across every need, from hardware services and warranties to education and day-to-day support.

With deep roots in the industry and a growing, evolving team, we continue to strengthen our presence while remaining a reliable part our customers can count on.



# THANK YOU

## Brandi Bice

DTS BDM | TCS

+1.801.828.6583

[bbice@tcs-la.com](mailto:bbice@tcs-la.com)

## DELTA TELEMETRY SYSTEMS

747 Dresher Road, Suite 125  
Horsham, PA 19044  
215.657.5270  
[delta-info.com](http://delta-info.com)

