

Model 5000 Systems FOR 4.3 - 6.0 METER REFLECTORS



KEY FEATURES

- Robust Platform Easily Deployed in Remote Locations
- Single or Multi-Section Reflector Available
- All Pedestal Electronics Contained in PIU At Base
- Mount Designed for Easy Transportation on Trailer
- Modular, Connector Based Design For Easy Assembly
- Optional Camera Available

GENERAL DESCRIPTION

The Model 5000 System delivers a robust platform for stationary and mobile autotracking antennas. The size of this mount makes for easy transportation on a trailer. Many of these systems have been deployed in remote locations.

This full-sky antenna system supports from a 14-foot (4.27 meter) to a 19.7-foot (6.0 meter) reflector. Both reflectors come in a multi-section configuration. The Model 5000 System moves from -5° to 185° in Elevation and is offered in both continuous and cable-wrap configurations in the Azimuth Axis.

Our standard Model 5000 System comes with an autotracking feed that receives in the L- and S-Bands. This system can be configured to handle L-, S-, and C-Band autotracking in the cassegrain configuration as shown here. We can customize the 5000 System to handle other frequency bands as well. Please see your TCS representative for more information.

One of the great design features of all of the TCS Antenna Systems is their modularity. We designed each sub-system to plug together with connectors. No soldering here. This makes it easy to assemble and to maintain. All of the pedestal electronics are located in the Pedestal Interface Unit (PIU) at the base of the pedestal. Inside you will find our Pedestal Interface PCB along with power supplies, servos, and other pedestal electronics.

The Model 5000 System connects with the TCS Antenna Control Unit-M1 (ACU-M1) through a fiber optic connection. We can configure the system to support single-mode or multi-mode fiber. This is based on the distance from the ACU to the pedestal. These lightweight control cables make setup and transportation easy

If you need to see where the antenna is pointing, we provide an optional camera. The video can either be picked up at a BNC connection at the base of the system, or brought back to the ACU-M1 over a fiber connection. Control of the camera is handled on the front panel of the ACU-M1.

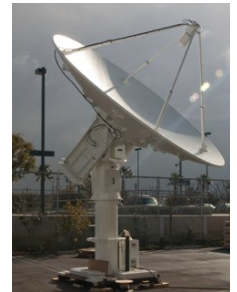
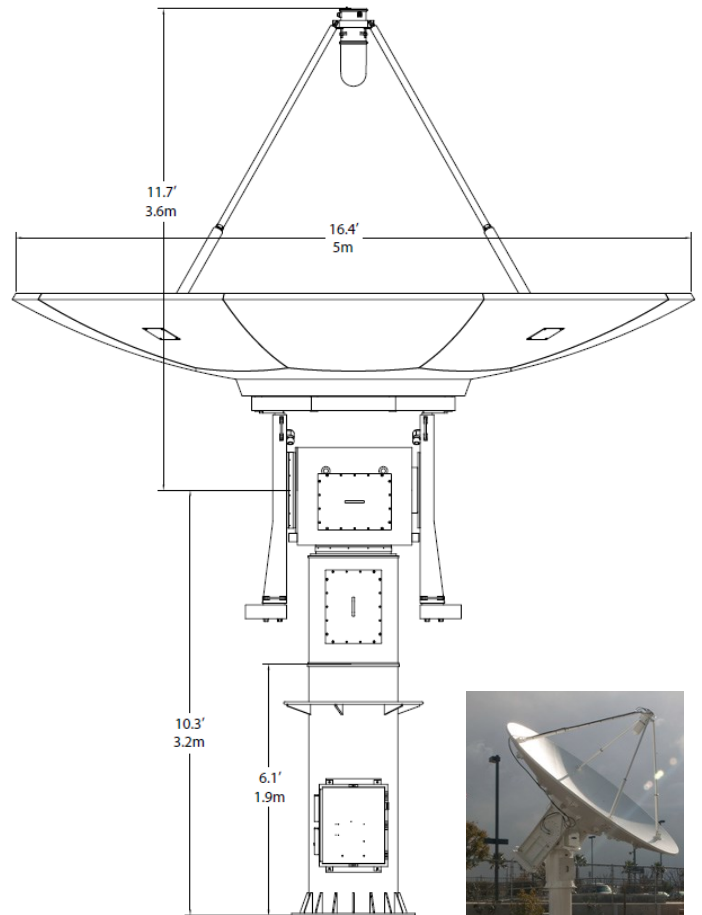
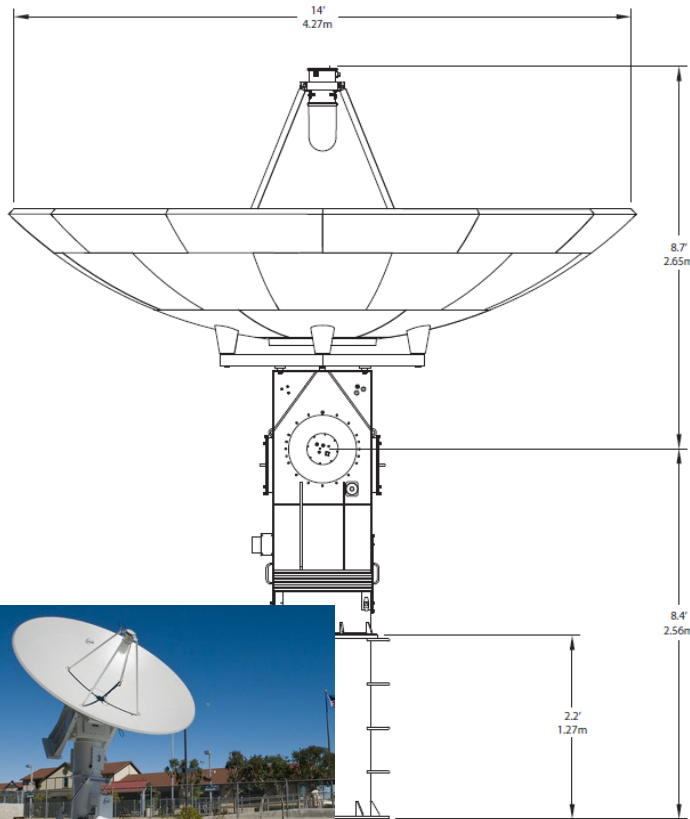


The Pedestal Interface Unit (PIU) contains all of the pedestal electronics.

Model 5000 Systems FOR 4.3 - 6.0 METER REFLECTORS



DATA ACQUISITION



	5000 - 14 with 14' (4.27 m) Reflector	5000 - 5 with 16.4' (5 m) Reflector
Reflector Types	Sectional	Sectional
Axis Speed	≥ 25°/sec	≥ 25°/sec
Axis Acceleration	≥ 55°/sec ²	≥ 55°/sec ²
Azimuth Travel	Continuous or ± 540°	Continuous or ± 540°
Power Requirements	115V ± 10% @ 60Hz or 220V @ 50Hz	115V ± 10% @ 60Hz or 220V @ 50Hz
System Weight	2,000 lbs (907 kg)	2,400 lbs (1,089 kg)
Control Options	Single-Mode or Multi-Mode Fiber	Single-Mode or Multi-Mode Fiber
Operating Temperature	-25°C to +55°C	-25°C to +55°C
Storage Temperature	-50°C to +70°C	-50°C to +70°C
Wind Speed	60 MPH (120 MPH Stowed)	60 MPH (120 MPH Stowed)
System Options	Dual Drive (for 5m - 6m systems), Camera (35x Zoom), System on Trailer, Dehydrator, Riser Extensions, Video Over Fiber, RF Over Fiber, Remote Stow	

Inquire today to learn more about the Model 5000 operation & control functions.